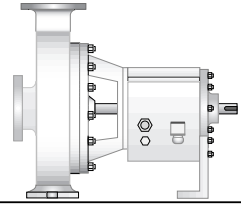


Ahlstrom APP & APT



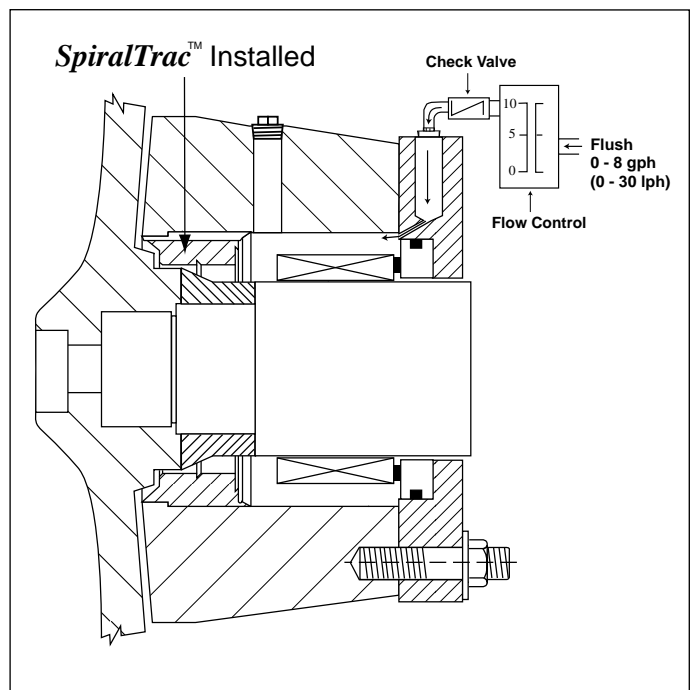
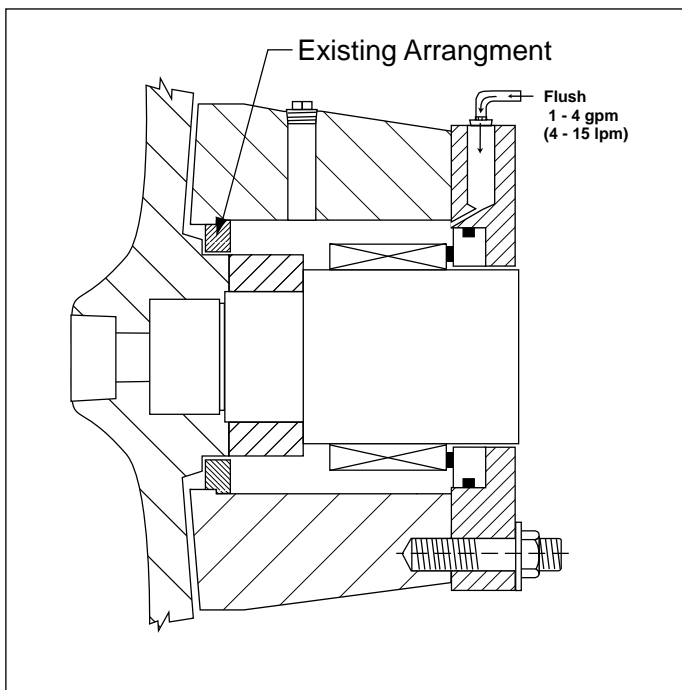
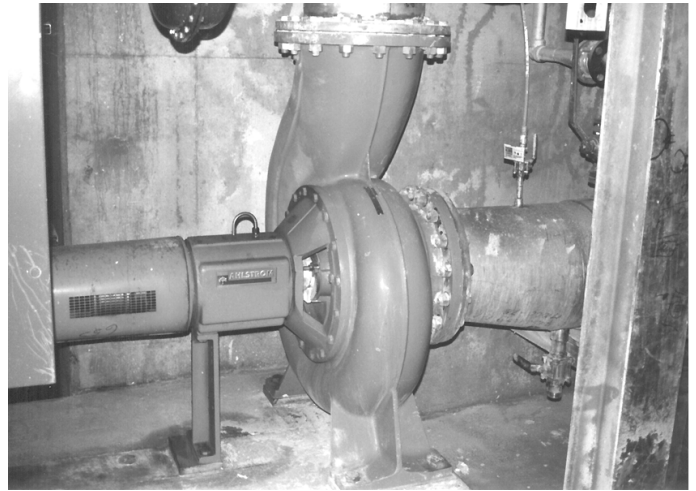
SpiralTrac Reduces flush to as low as 8-10 GPH
(30 -37 LPH) or possible "0" flush.

SpiralTrac Increases MTBF.

SpiralTrac Reduces shaft or sleeve wear.

SpiralTrac Eliminates seal and cavity erosion.

SpiralTrac Enables seals to operate in applications
not possible before.



SpiralTrac Enhanced Environment

Results that will surpass anything you have experienced in the past.

AHLSTROM APP - Quick Order Numbers			
Ahlstrom APP Version N Type A		Ahlstrom APP Version D Type A	
Bearing Size	Order Number	Bearing Size	Order Number
1	N-40APP1(XXX)	1	D-40APP1(XXX)
2	N-50APP2(XXX)	2	D-50APP2(XXX)
3	N-60APP3(XXX)	3	D-60APP3(XXX)
4	N-70APP4(XXX)	4	D-70APP4(XXX)
5	N-90APP5 (XXX)	5	D-90APP5 (XXX)
6	N-100APP6(XXX)	6	D-100APP6(XXX)

SpiralTrac Version

Version N For use with non-fibrous applications. Shorter axial length as typically required for double seals.

Version D For use with fibrous applications.

Elimination of flush is dependent on the type of application. Please contact your distributor or EnviroSeal to determine your application's suitability for flush elimination.

AHLSTROM APT - Quick Order Numbers			
Ahlstrom APT Version N Type A		Ahlstrom APT Version D Type A	
Bearing Size	Order Number	Bearing Size	Order Number
1	N-1575APT1(XXX)	1	D-1575APT1(XXX)
2	N-1969APT2(XXX)	2	D-1969APT2(XXX)
3	N-2362APT3(XXX)	3	D-2362APT3(XXX)
4	N-2756APT4(XXX)	4	D-2756APT4(XXX)
5	N-3543APT5(XXX)	5	D-3543APT5(XXX)
6	N-3937APT6(XXX)	6	D-3937APT6(XXX)

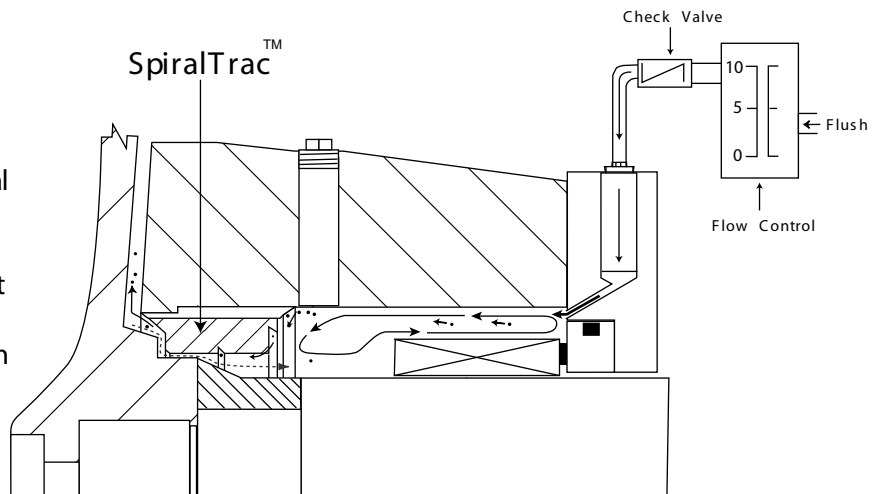
Material Selection

(ESC) - Carbon Graphite PTFE
 (BRZ) - Bronze
 (416) - 416 Stainless Steel
 (316) - 316 Stainless Steel

Replace (XXX) with the Material of your choice for your application.

With A Mechanical Seal

Contaminants normally accumulate at the seal cavity bore because centrifuge drives abrasives outward. SpiralTrac™ establishes a flow pattern, drawing from the bore to collect and expel abrasives from the cavity. The SpiralTrac™ Enhanced Environment results in longer seal life, reduced flush requirements and less maintenance.



The information contained in this bulletin is accurate at time of print. The purchaser is responsible for ensuring the dimensions, quantity and applications suitability meet end-user requirements. Most products are "manufactured to order"; therefore, EnviroSeal Engineering Products Ltd. retains the right to individually authorize returns based upon the potential for resale of the products within a reasonable period of time.

Questions: Ask your local Distributor or contact EnviroSeal directly.